



38MM ANNULAR RING NAILS FOR STANDING SEAM

Cladco 38mm Annular Ring Nails are perfect for installing our Standing Seam Sheets and Flashings. The large annular ringed shank head provides superior support and holding power. Made from A2 stainless steel.

COLOUR RANGE

STAINLESS
STEEL

NAIL SPECIFICATIONS

Length	38mm
Gauge	3.35mm
Pack Quantity	350 (Approx)
Pack Weight	1kg
Material	A2 Stainless Steel

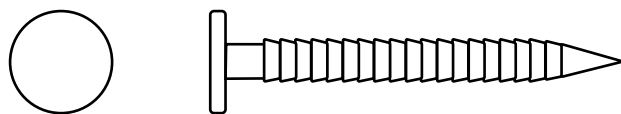
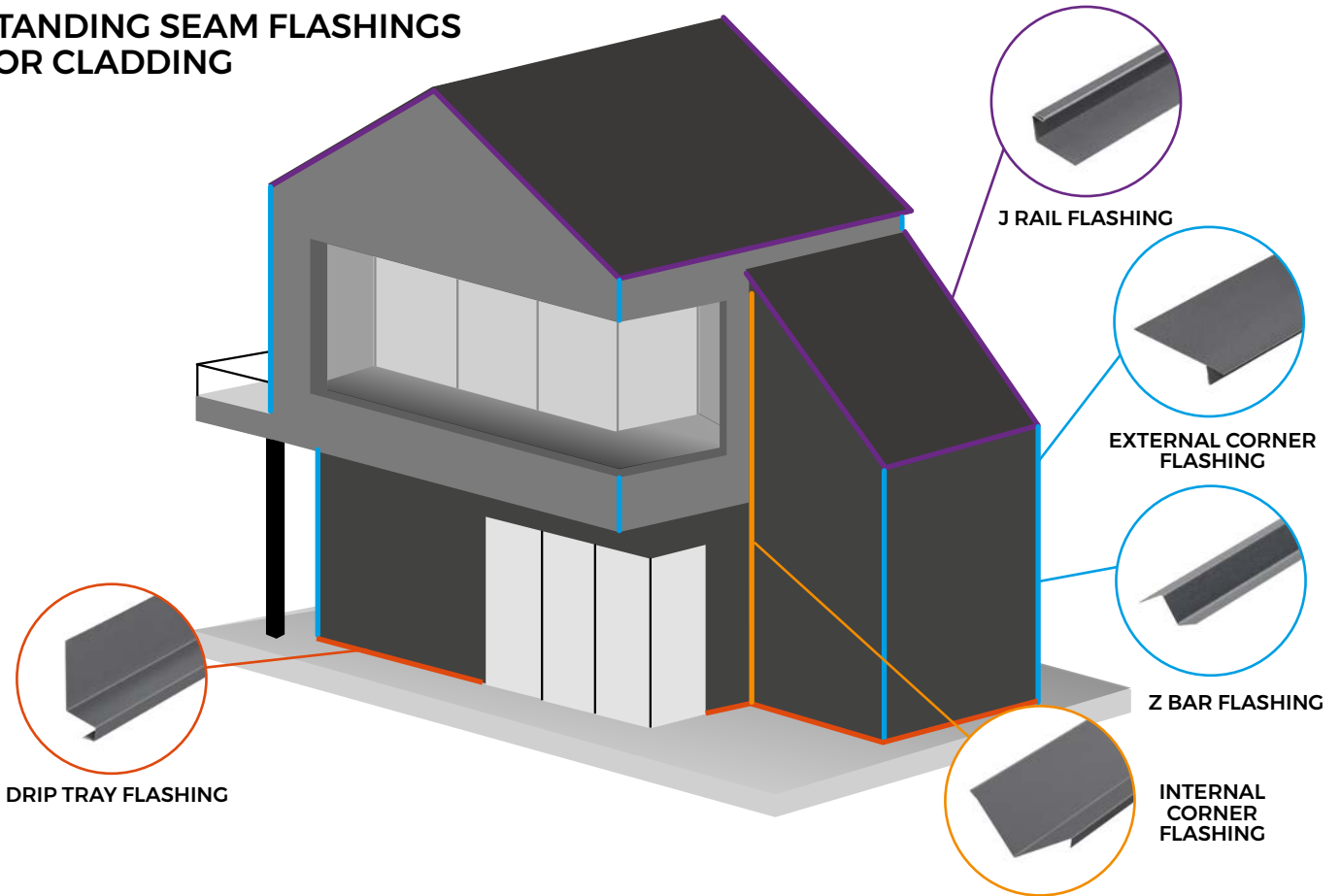
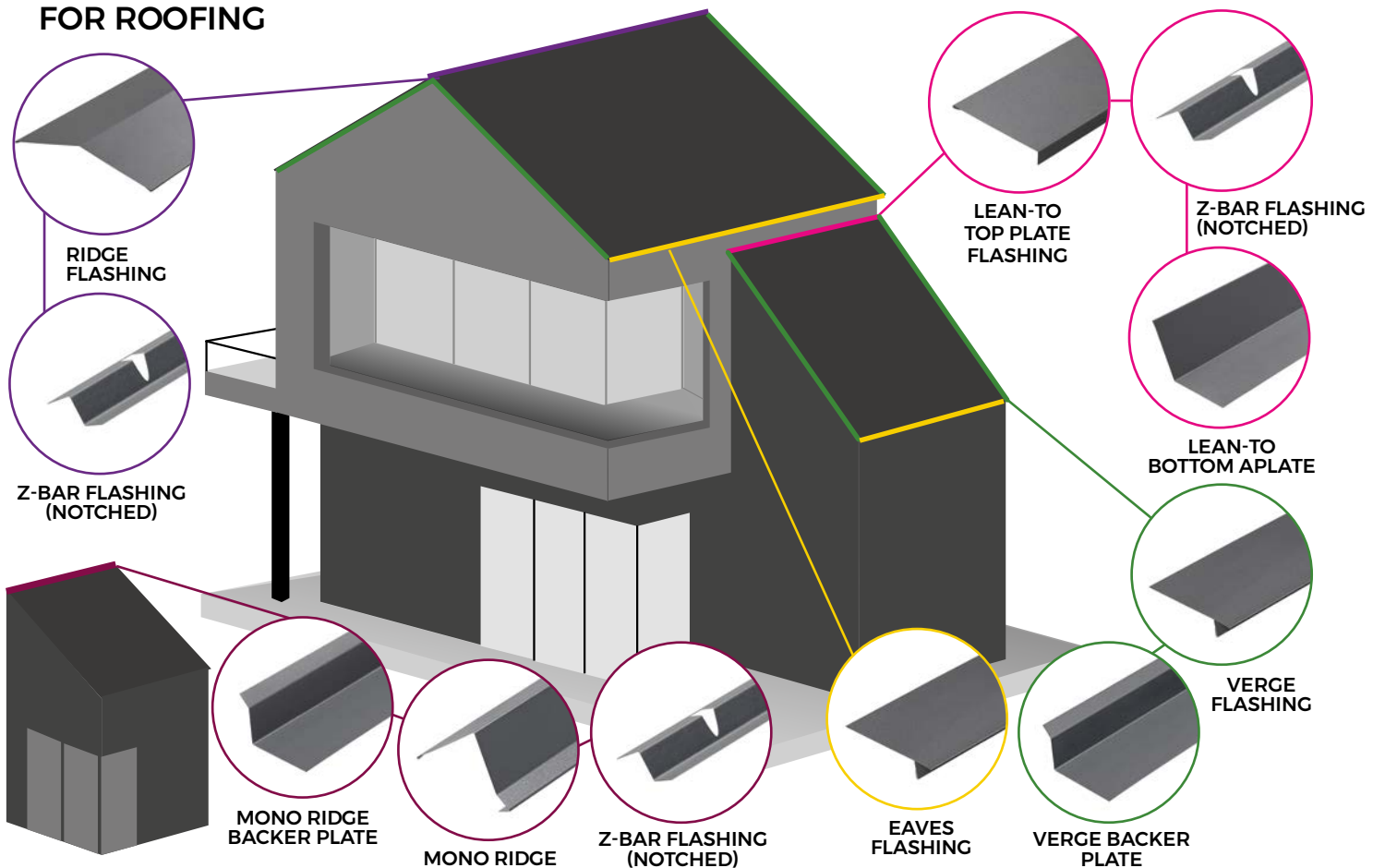


Diagram is not drawn to scale.

STANDING SEAM FLASHINGS FOR CLADDING



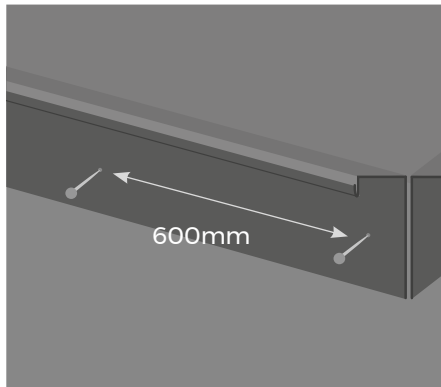
STANDING SEAM FLASHINGS FOR ROOFING



INSTALLATION ADVICE

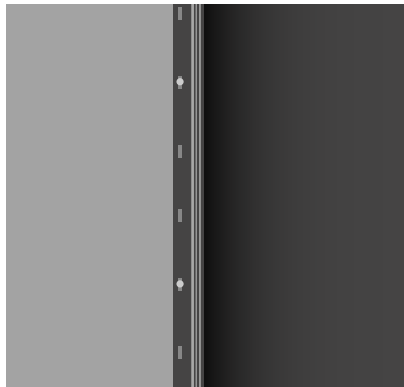
Secure Flashings

Fix Annular Ring Nails through the flat sections of Flashings. Five Ring Nails should be used per length of Flashing, approximately 600mm apart.



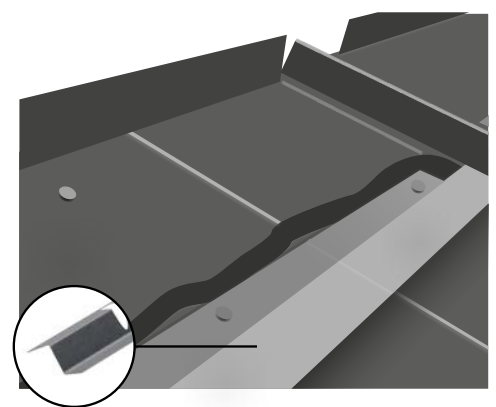
Secure Sheets

Ensure the edge of the first Sheet is squarely secured every 3-4 holes (200mm) down the left side through fixing holes.



Attach Z Bars

Fix Z Bars for Ridge Flashings using Ring Nails through the Flashing, secured using sealant to prevent water ingress.



For detailed information about installation, please read our Standing Seam Installation Guides.



MATERIALS

Manufactured from A2 stainless steel for excellent rust and corrosion resistance.



RESISTANCE

Annular Ring Nails feature a large shank head for increased support.



ACCESSORIES

Annular Ring Nails are used to secure Standing Seam Flashings and Sheets.



LOW MAINTENANCE

Once fixed in place, Annular Ring Nails require no maintenance.



LONG LASTING

Standing Seam Sheets and Nails provide a long lifespan for your Roofing and Cladding project.

PRODUCT ACCESSORIES



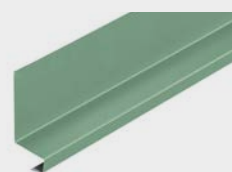
J-RAIL
FLASHING



Z BAR
FLASHING



EAVES
FLASHING



DRIP TRAY
FLASHING



MONO RIDGE BACKER
PLATE FLASHING



BREATHABLE
MEMBRANE



CTI ADHESIVE



TIN SNIPS



SAFETY GLOVES



STANDING SEAM