

# STANDING SEAM

## J-RAIL FLASHING

Cladco J-Rail Flashings are for Cladding applications of our Standing Seam Sheeting. These Flashings are used to secure each Sheet under your roof eaves, this ensures correct installation of your cladding project.

### COLOUR RANGE

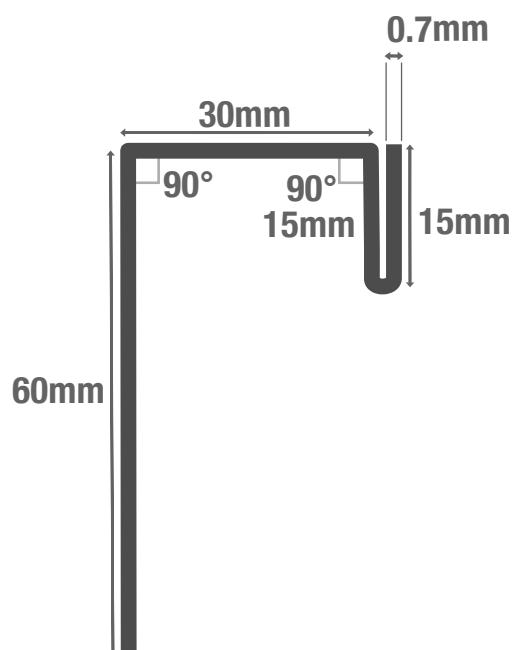


### FLASHING SPECIFICATIONS

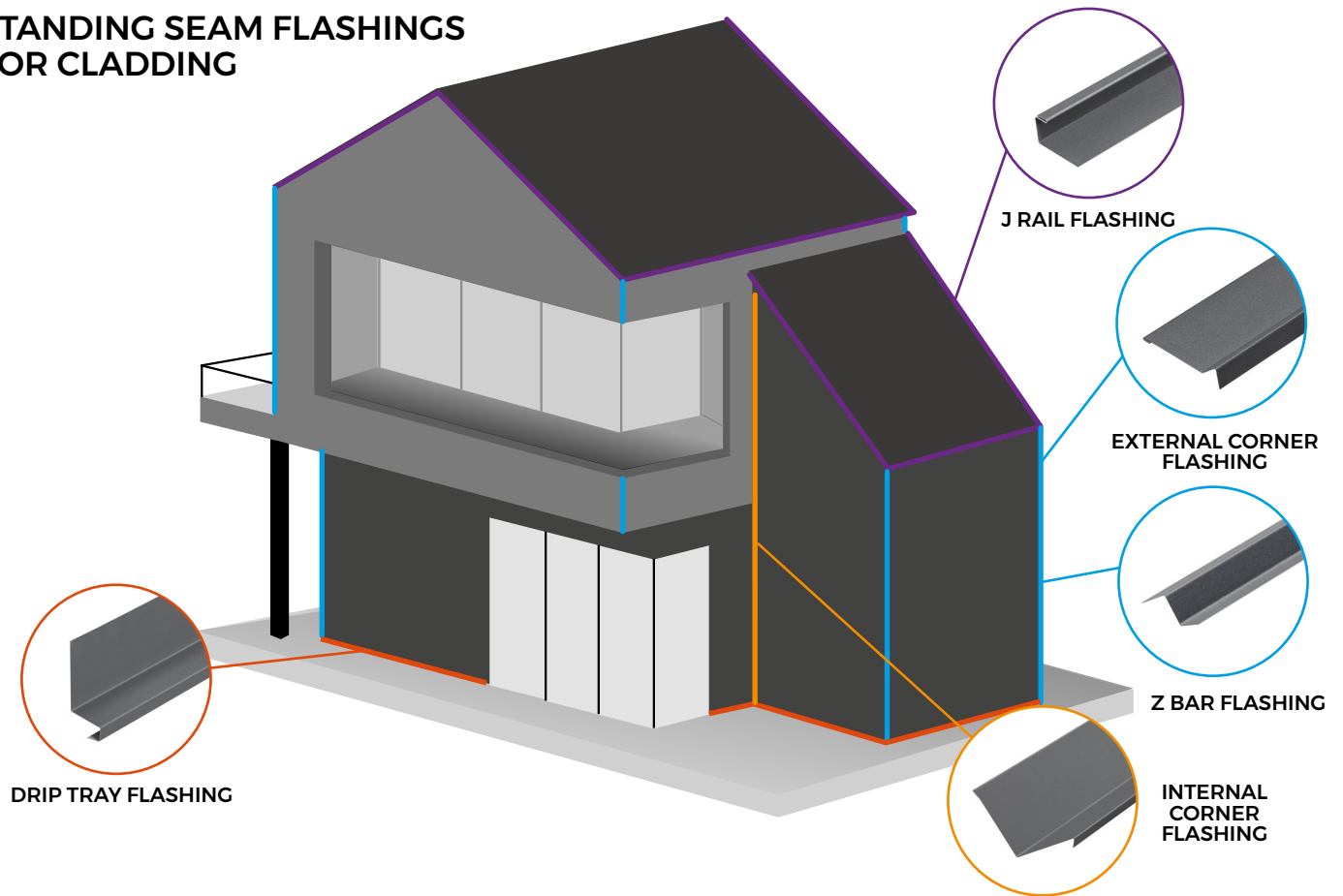
Length	3m
Dimensions	60mm x 30mm x 15mm
Thickness	0.7mm
External Finish	GreenCoat® Pural BT

### TEST CERTIFICATIONS

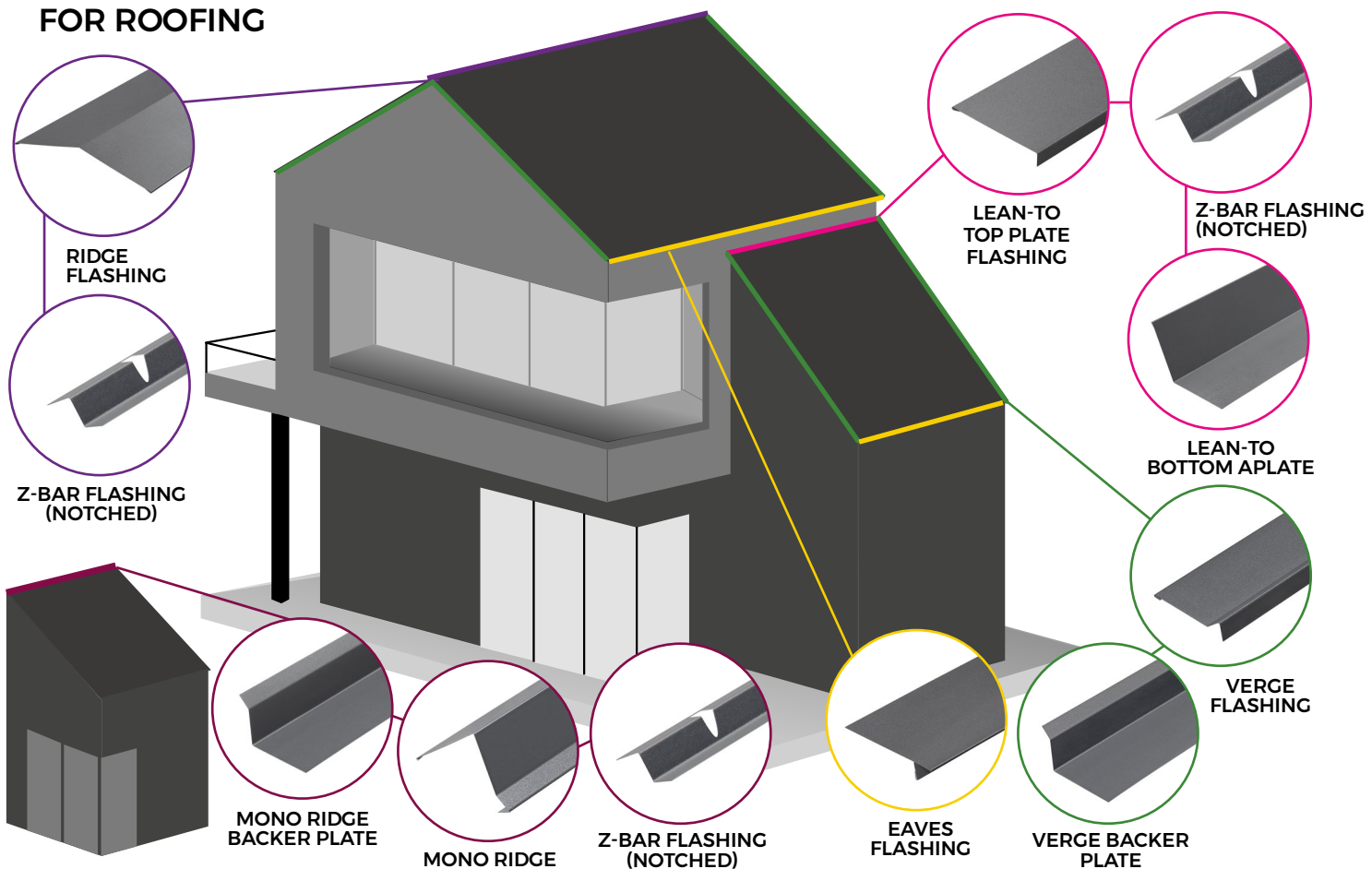
Quality	CE Marked (BS EN 14783:2013)
Fire Rating	Class A1 (BS EN 13501)



## STANDING SEAM FLASHINGS FOR CLADDING



## STANDING SEAM FLASHINGS FOR ROOFING



## SUSTAINABLE MATERIALS

Cladco Standing Seam Roofing Sheets are manufactured from SSAB Steel coated with GreenCoat® Pural BT. The use of Swedish rapeseed oil, in place of traditional fossil fuel oils, promotes sustainable production methods which reduce our environmental footprint to provide you with a high-quality, A1 fire-rated roofing and cladding product.

## AFTERCARE

Standing Seam Roof Sheets are low-maintenance and require little in the way of upkeep. We recommend, however, that annual inspection of the Sheeting is carried out, and any debris or dirt build up is removed or cleaned away.



Sustainable Coating Made From Swedish Rapeseed Oil



Made From High-Quality SSAB Nordic Quality Steel



Scratch, Corrosion And Weather Resistant Surface



Hidden Fixing with Annular Ring Nails



### MATERIALS

Nordic quality, sustainable SSAB steel promotes sustainable production.



### SURFACES

A durable GreenCoat® Pural BT coating with a matt finish, with or without ribs.



### ACCESSORIES

J-Rail Flashings are installed with a range of our Standing Seam Flashings for a sleek finish.



### RESISTANCE

Pural BT coated Sheets are weather, corrosion, scratch and UV resistant.



### GUARANTEE

Sheets have a long life span of up to 50 years.

## PRODUCT ACCESSORIES



TAPE MEASURE



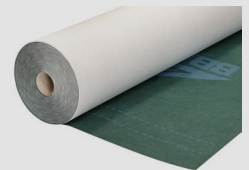
TIN SNIPS



CTI ADHESIVE AND SEALANT



ANNULAR RING NAILS



VENT 3 PRO BREATHABLE MEMBRANE

## TOOLS REQUIRED



EAVES CLOSER



HANDHELD CIRCULAR SAW



RUBBER Mallet

For a full list of tools required, please refer to our Standing Seam Installation Guide.

[www.cladco.co.uk](http://www.cladco.co.uk)

T: 01837 659901 E: [info@cladco.co.uk](mailto:info@cladco.co.uk)

**CLADCO**  
PROFILES