

STANDING SEAM

MONO RIDGE BACKER PLATE

Cladco Mono Ridge Backer Plates are used on a single-pitch roof where Standing Seam Sheets are installed. Alongside our Mono Ridge Flashings and Z-Bars, these Backer Plates create a professional finish.

COLOUR RANGE

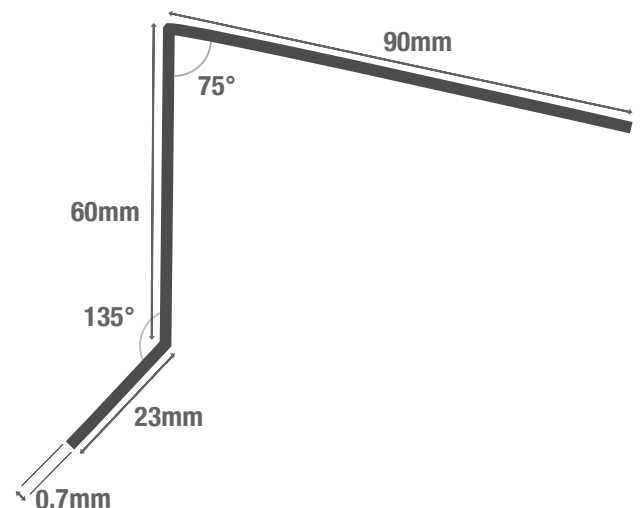


FLASHING SPECIFICATIONS

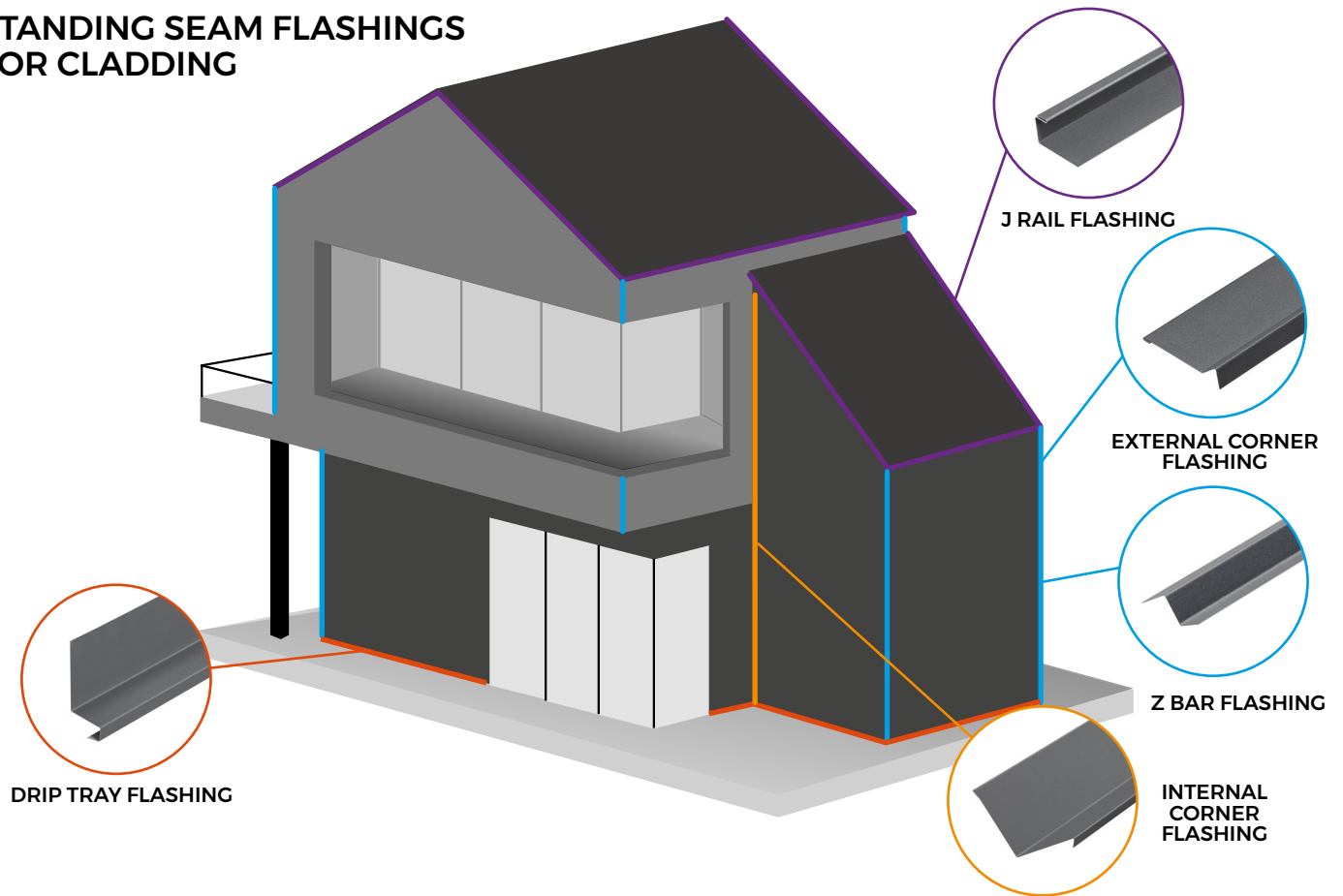
Length	3m
Dimensions	90mm x 60mm x 23mm
Thickness	0.7mm
External Finish	GreenCoat® Pural BT

TEST CERTIFICATIONS

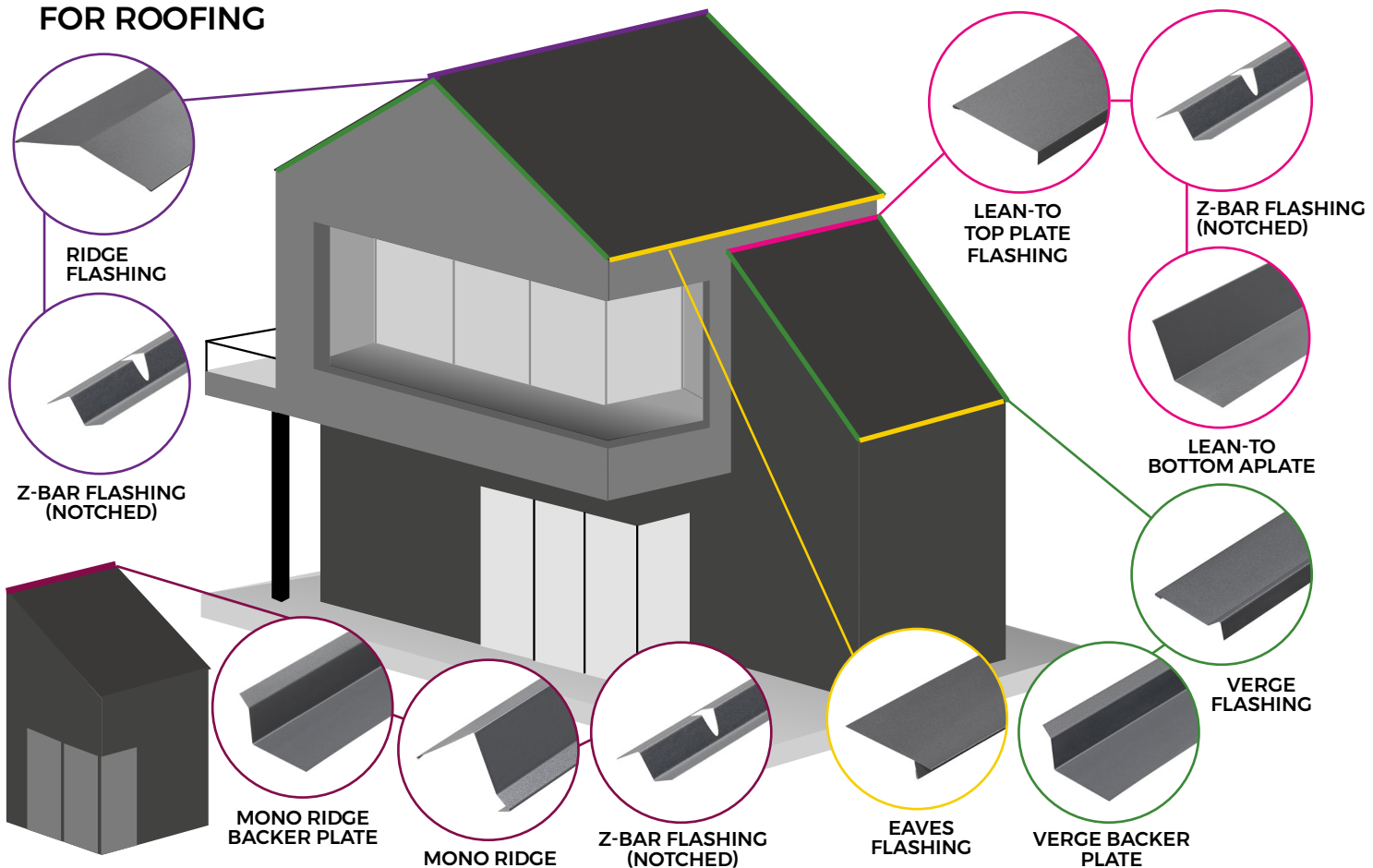
Quality	CE Marked (BS EN 14783:2013)
Fire Rating	Class A1 (BS EN 13501)



STANDING SEAM FLASHINGS FOR CLADDING



STANDING SEAM FLASHINGS FOR ROOFING



SUSTAINABLE MATERIALS

Cladco Standing Seam Roofing Sheets are manufactured from SSAB Steel coated with GreenCoat® Pural BT. The use of Swedish rapeseed oil, in place of traditional fossil fuel oils, promotes sustainable production methods which reduce our environmental footprint to provide you with a high-quality, A1 fire-rated roofing and cladding product.

AFTERCARE

Standing Seam Roof Sheets are low-maintenance and require little in the way of upkeep. We recommend, however, that annual inspection of the Sheeting is carried out, and any debris or dirt build up is removed or cleaned away.



Sustainable Coating Made From Swedish Rapeseed Oil



Made From High-Quality SSAB Nordic Quality Steel



Scratch, Corrosion And Weather Resistant Surface



Install With Seaming Pliers



MATERIALS

Nordic quality, sustainable SSAB steel promotes sustainable production.



SURFACES

A durable GreenCoat® Pural BT coating with a matt finish, with or without ribs.



ACCESSORIES

Install your Mono Ridge Backer Plate with our Mono Ridge Flashing & Z-Bar Flashing (Notched).



RESISTANCE

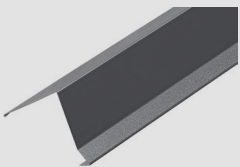
Pural BT coated Sheets are weather, corrosion, scratch and UV resistant.



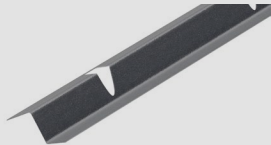
GUARANTEE

Sheets have a long life span of up to 50 years.

PRODUCT ACCESSORIES



MONO RIDGE FLASHING



Z-BAR FLASHING (NOTCHED)



TIN SNIPS



ANNULAR RING NAILS



CTI ADHESIVE AND SEALANT

TOOLS REQUIRED



SEAMING PLIERS



HANDHELD CIRCULAR SAW



RUBBER MALLET

For a full list of tools required, please refer to our Standing Seam Installation Guide.

www.cladco.co.uk

T: 01837 659901 E: info@cladco.co.uk

CLADCO
PROFILES