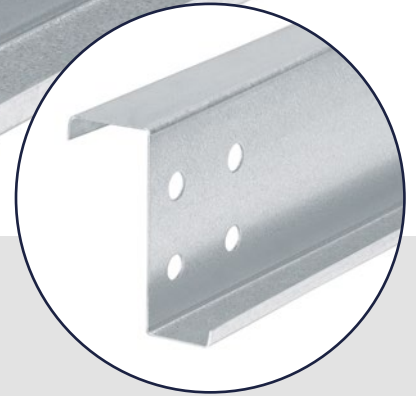
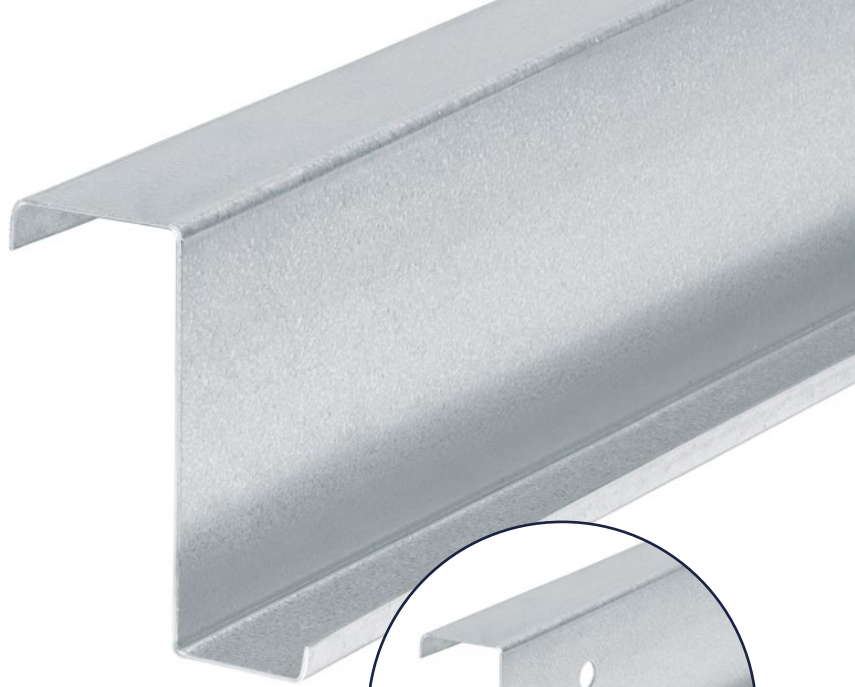


Z SECTION PURLINS

Our Metal Z Purlins help to create a secure support system for Roofing structures. These Purlins are also available in punched to make it easier to fix to Cleats and the structure. Made from 1.8mm Z39 galvanised steel, the length of the Purlins can be customised between 1.5m and 9m and are available in three different depths. We also have Purlin Cleats and Sleeves to help complete your Roofing project.



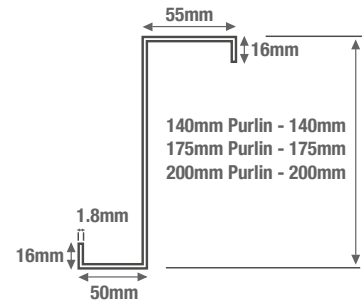
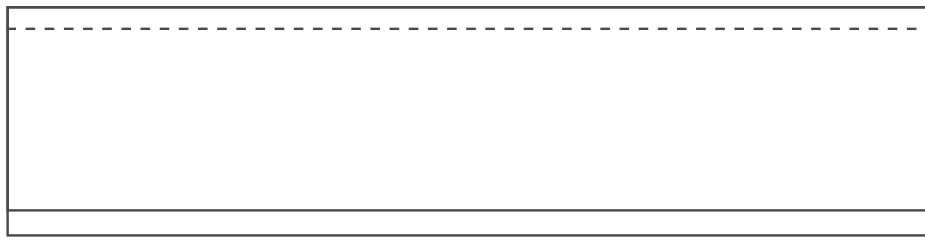
FINISH

GALVANISED
STEEL

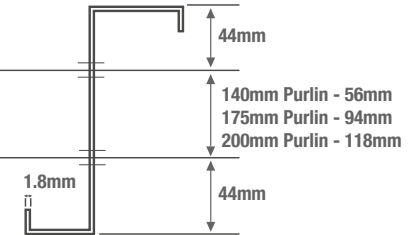
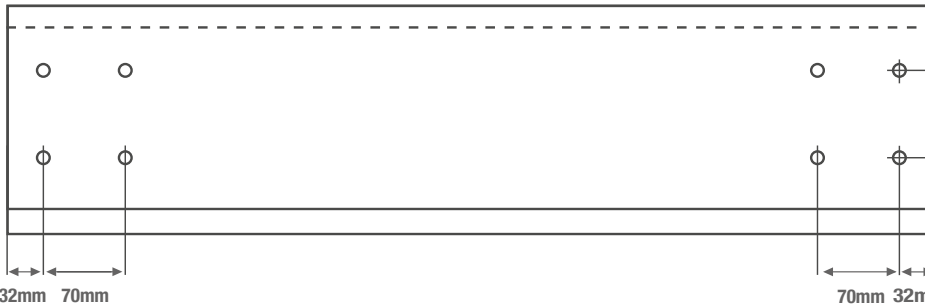
PURLIN SPECIFICATIONS

Length	2m to 9m
Thickness	1.8mm
Width	140mm 175mm 200mm
Material	Z39 Galvanised Steel

UNPUNCHED Z PURLIN



PUNCHED Z PURLIN



MATERIALS

Creates strong and durable structures due to the galvanised steel material.

SURFACES

No additional finishes required due to the high-tensile Z39 galvanised steel material.

ACCESSORIES

The Purlins can be installed alongside Purlin Cleats and Sleeves to increase the strength of the Roofing structure.

LOW MAINTENANCE

No need to actively maintain due to the strong and robust galvanised steel.

LONG-LASTING

The Z Purlins create a durable and strong base structure for your Roofing project for years to come.

TOLERANCE

Purlin Cleats are fastened to the Roofing structure and act as an attachment for the Purlins to be fixed to.

When installing Cleats, make sure that they are positioned $\pm 5\text{mm}$ of the intended spot and are aligned within 1° of the correct angle.

Keep in mind that if the Cleats are positioned within a $\pm 5\text{mm}$ tolerance relative to the setting out point, this can lead to a total spacing of up to 10mm between Purlins or Rails.



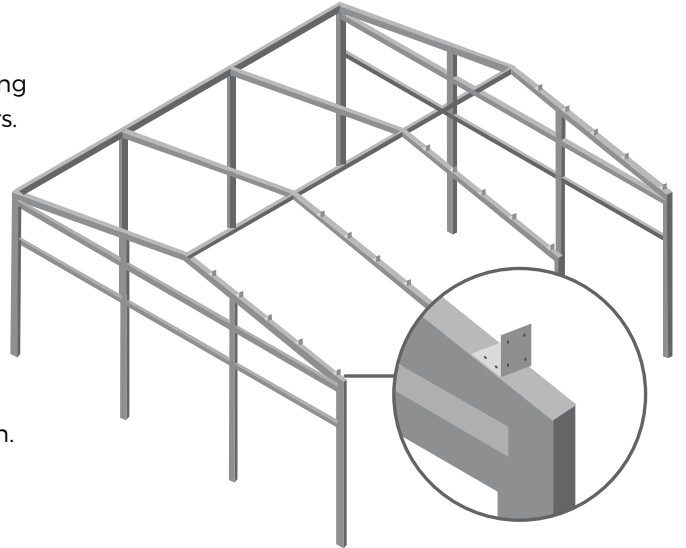
INSTALLATION ADVICE

CLEATS

Determine Purlin Spacing: Begin by measuring and marking the required spacing between each Purlin along the rafters. The spacing will depend on the structural requirements of your roof and the load it needs to support.

Mark Fixing Points: Use a chalk line or measuring tape to ensure even spacing and alignment of the Cleats.

Secure Cleats to Rafters: Fix each Cleat firmly to the rafters using appropriate fasteners, such as bolts or screws, ensuring a strong and stable connection. The Cleats should be aligned consistently along the entire length of the rafters to support the Purlins effectively.



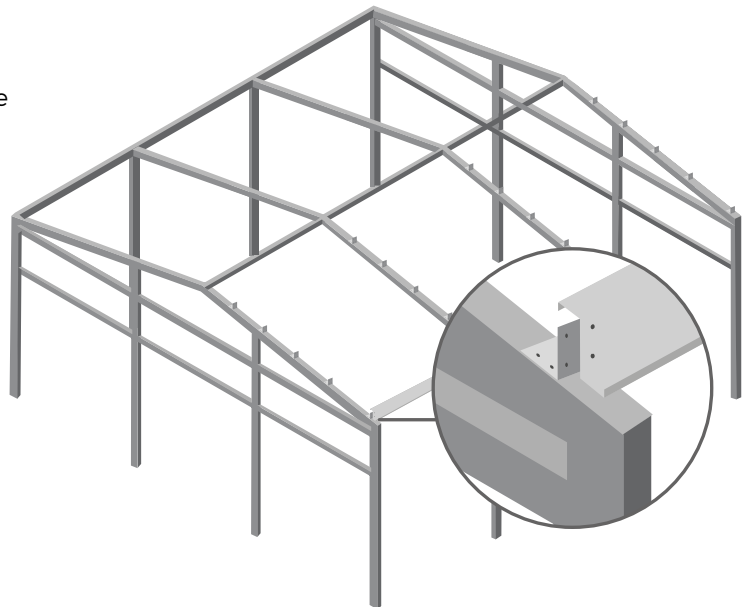
Z PURLINS

Positioning the Purlins: Once the Cleats are securely fixed, position the Z Purlins onto the Cleats along the length of the roof's framework.

Securing the Purlins: Bolt each Z Purlin securely onto the Cleats, ensuring a tight fit. Double-check that the Purlins are level and correctly aligned before tightening the bolts.

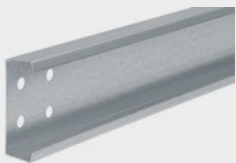
Butting Purlins Together: Where two Purlins meet, they should be butted together and bolted to the same Cleat. This ensures continuity in the structure and maintains overall stability.

Final Checks: Inspect all fixings, ensuring bolts are properly tightened and that the structure is secure before proceeding with further Roofing installation.



For detailed information about installation, please read our Roofing Installation Guide.

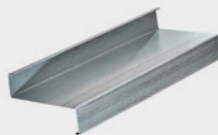
PRODUCT ACCESSORIES



C PURLINS



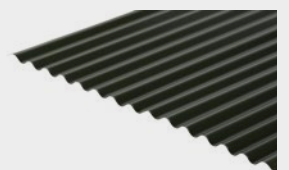
CLEATS



PURLIN SLEEVES



BOX PROFILE
CLADDING



CORRUGATED
CLADDING